

Intellian® i9P

Most Powerful Marine Satellite TV Antenna
for Commercial Vessels & Super Yachts



HDTV
COMPATIBLE

A firm hold on the signal

Intellian's exclusive Dynamic Beam Tilting (DBT) uses a high performance, constantly adjusting sub-reflector which allows the antenna to remain the strongest signal at all times while the vessel is cruising at high speed.

Faster signal acquisition

Intellian's exclusive Wide Range Search (WRS) algorithm allows the antenna to search, find and lock on to a signal with incredible speed and accuracy.

Most powerful performance

85cm reflector diameter with nationwide coverage for North & South America, Europe and the regional service around the globe.

Tune in your favorite HDTV channels

Intellian's i9P provides HD channels from the Ku-band. The HD module is actually built-in to the Antenna Control Unit of the Intellian i9P for seamless integration and easy installation.

Built-in GPS

The Intellian i9P includes a built-in GPS for easier operation and faster signal acquisition.

Wireless connectivity & Aptus mobile

The built-in Wi-Fi enables the ACU to be wirelessly connected. PCs, laptops and smartphones can be used to connect to the ACU and monitor, control and change the settings of the system wirelessly. Intellian Aptus mobile is available for download to access to the ACU via Wi-Fi and operate the antenna from their iPhone, iPad or other network devices. iPhone and iPad are registered trademarks of Apple Inc.

All-in-One system

Auto Skew Angle Control System, GPS and extended elevation range provided as a default option allow the i9P to have enhanced signal receptions in weak satellite signal coverage areas and have accuracy and easy operation wherever the vessel sails.

Intellian

Connect with the best

Intellian® i9P

Most Powerful Marine Satellite TV Antenna for Commercial Vessels & Super Yachts

Technical Specifications

Physical	
Radome Height	121cm / 47.5"
Radome Diameter	113cm / 44.5"
Reflector Diameter	85cm / 33.5"
Weight	56.2kg / 123.8lbs
Environmental	
Operating Temp. Range	-25°C to +55°C / -13°F to +131°F
Storage Temp. Range	-40°C to +80°C / -40°F to +176°F
Water Ingress	IPX6
Approvals	CE / FCC
Warranty	3 years parts and 1 year labor
Performance	
Reception Frequency	Ku-band (10.7-12.75GHz)
Polarization	RHCP / LHCP, Vertical / Horizontal
Minimum EIRP	44dBW
Azimuth Range	680°
Elevation Range	-15° to +90°
Ship's Motion	Roll ±25°, Pitch ±15°
Roll & Pitch Response Rate	30° / sec
Turning Rate	30° / sec
RF Output	Dual / Quad Output
Antenna Control Unit	
Dimensions (WxDxH)	17.8cm x 21.7cm x 5.4cm / 7" x 8.5" x 2.1"
Weight	1.2kg / 2.6lbs
Display	2 line 20 Character VFD module
GPS Interface	Built-in (NMEA 0183 GPS)
Power Requirement	9.0-30.0V DC
Power Consumption	Typ. 30W, Max. 50W

Key Features

Fully Automated System

Automatic satellite search and identification.
2-axis step motors to stabilize the pedestal.

Enhanced Antenna

Highly efficient 34 inch parabolic antenna enables 44dBW of minimum EIRP. RHCP / LHCP, Vertical / Horizontal polarization.

Wide Range Search (WRS) Algorithm

Competitor methods search for the narrow-bandwidth of the main lobe. However Intellian's exclusive WRS searches for the wide range of side lobes and jumps up to the main lobe, providing faster satellite acquisition.

Fully Automated Digital Video Broadcasting (DVB)

Identification DVB Decoder with CPLD enables high speed identification.

Dynamic Beam Tilting (DBT) Technology

A high-speed sub-reflector rotates off axis, checking signal strength at 50 times per second and compensating the tracking direction. Less movement of the main-reflector means less noise and extends the product life.

New Type Antenna Control Unit

- Easy to change and update satellite information
- Easy antenna status check and automatic diagnosis
- Easy antenna control using PC interface

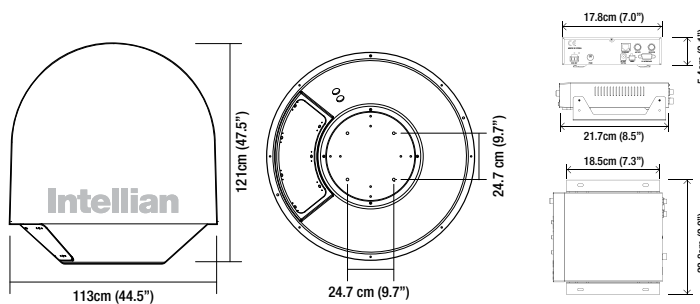
Automatic Polarization (Skew-angle) Control

Automatic Skew Angle Control System (-90°~ +90°) for Linear Horizontal / Vertical Polarization.

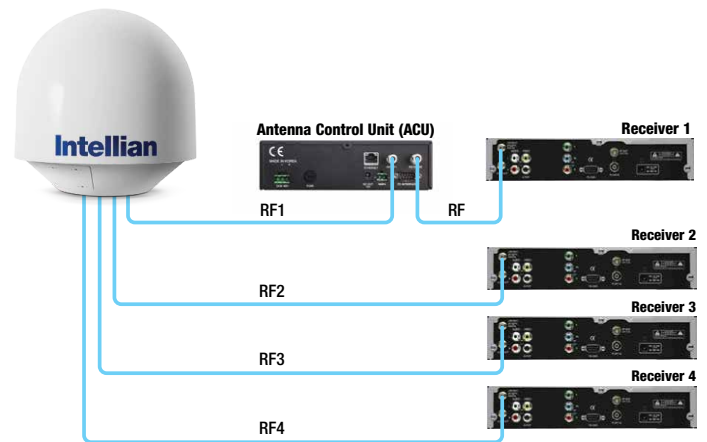
Built-in GPS and NMEA 0183 Interface Port

The i9P includes a built-in GPS inside of the Antenna Unit for faster signal acquisition. The ship's GPS can also be connected through the NMEA 0183 port on the rear panel of the ACU.

System Dimension



System Diagram



*Receivers are not supplied



Global HQ
Innovation Center / Factory
Intellian Technologies, Inc
T +82 31 379 1000
F +82 31 377 6185

APAC
Seoul Office
Intellian Technologies, Inc.
T +82 2 511 2244
F +82 2 511 2235

Americas
Irvine Office
Intellian Technologies USA, Inc.
T +1 949 727 4498
F +1 949 271 4183
Toll Free +1 888-201-9223

EMEA
Rotterdam Office
Intellian B.V.
T +31 1 0820 8655
F +31 1 0820 8656